



SPEC SHEET

CSQ275 Dual Connector Carabiner for Twin SRL's

Design Specifications

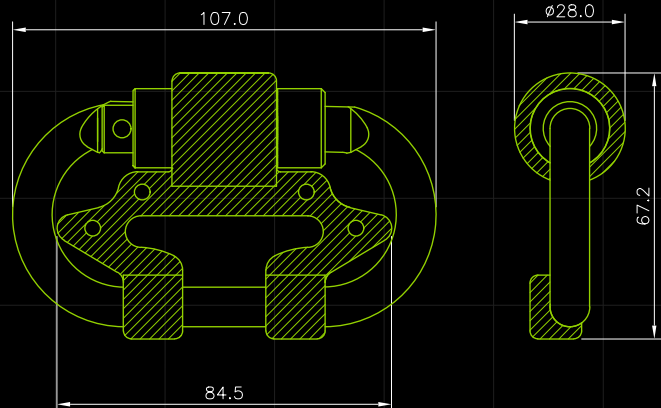
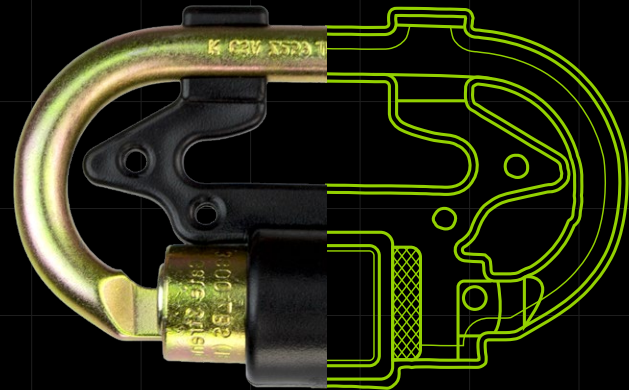
The ultimate solution to attach two 6 feet SRL's directly with the user's harness, no additional connector is required. Also reduces the length of swing during the fall thereby preventing the impact of SRL's on the back of the user's head.

Material Specifications

Material	Alloy Steel
Separator	High-density polyethylene
Finish	Zinc plated with Yellow / Silver passivation
Min. Breaking Strength	5170 lbs.
Weight	0.584 lbs ±0.02 lbs.

Relevant Standards

ANSI	Z359.12-2009
------	--------------



WARNINGS:

- Do not skip user instructions supplied with this product.
- Alteration or misuse of this product or failure to follow instructions may lead to serious injury or even death.

