



SPEC SHEET

R02W 2-Way Standing Seam Roof Anchor

Design Specifications

Zinc-Plated Steel Anchorage Device

Galvanized O-Ring: 3.75" Round

Galvanized O-Ring Thickness: 0.4"

Anchor Size: 2" x 4" x 6"

Base Thickness: 3/8"

Bolts: 1/2"-13, 2-1/2" Grade 5 with 1/2" Lock Washers

Features and Specs

The Anchor is of high strength, rugged and reusable

Tensile Strength 5,000-lbf/22kN

User Maximum Capacity 130-310 lbs

Material Zinc-Plated Steel

Application: Standing seam roofs (24 gauge min)

Bolts and washers included with anchor

Relevant Standards

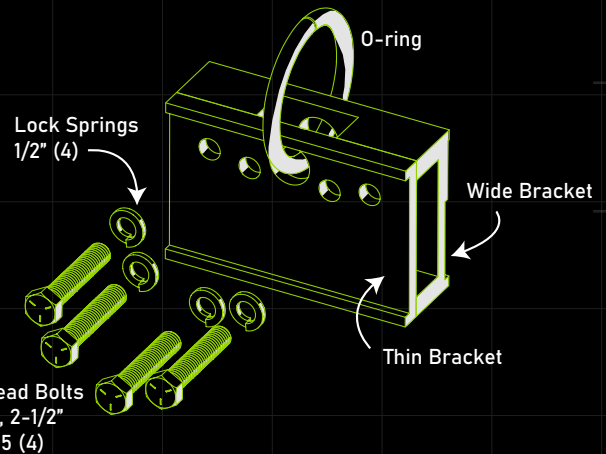
ANSI Z359.1-2007

A10.32-2012

OSHA

CFR 1926 Subpart M

CFR 1910



WARNINGS:

- Do not skip user instructions supplied with this product.
- Alteration or misuse of this product or failure to follow instructions may lead to serious injury or even death.



info@frontlinefall.com

www.frontlinefall.com
© 2019

2023 NW 84th Ave, Miami FL, 33122